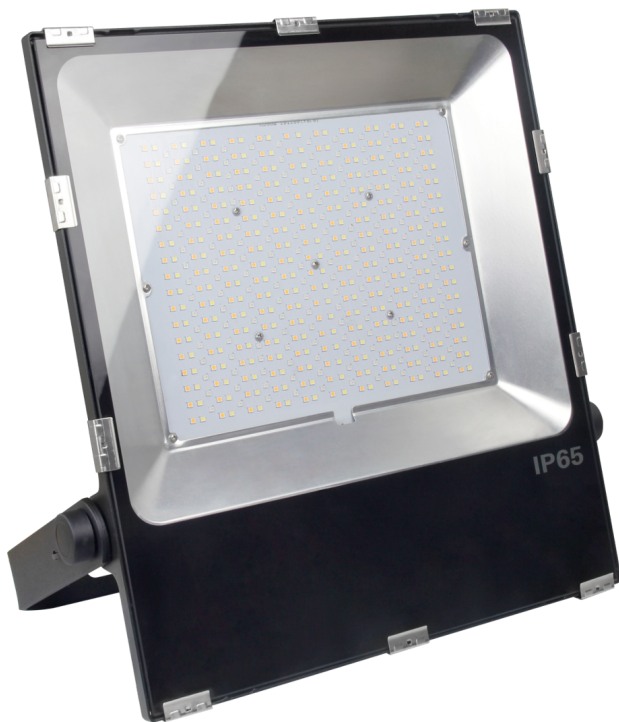


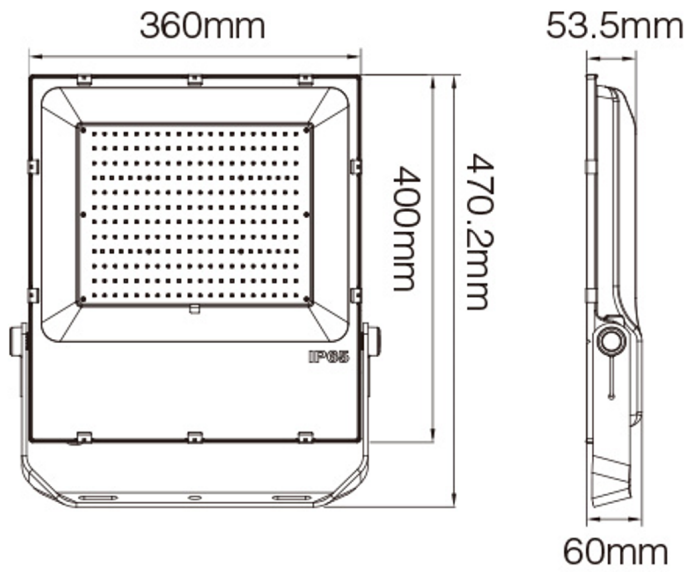
## Product Data Sheet

### 200W RGB+CT RF/APP Control Floodlight

Part No: WF-RGBCT-200W

- RGB+CT 2700-6500k
- RF remote control / APP control with gateway (sold separately)
- 160 degree
- 30mtr Auto signal transmitting / Modes synchronization
- Adjustable head
- Comes with 0.9 metre input lead





## Technical Specification

<b>Part No</b>	<b>WF-RGBCT-200W</b>
<b>Finish</b>	Black
<b>Voltage</b>	240
<b>Wattage</b>	200
<b>Lumens</b>	18,400
<b>CCT</b>	RGB+CT
<b>Colour Temperature</b>	RGB+2700-6500k
<b>Beam Angle</b>	160 degree
<b>IP Rating</b>	65
<b>Connector Type</b>	Bare End
<b>Width</b>	360
<b>Length</b>	400
<b>Depth</b>	60
<b>Class 1 or 2 or 3</b>	I
<b>Material / Made From</b>	Metal
<b>EAN</b>	5055530833289

<b>Unit of sale</b>	1
<b>Price</b>	each
<b>Notes</b>	