

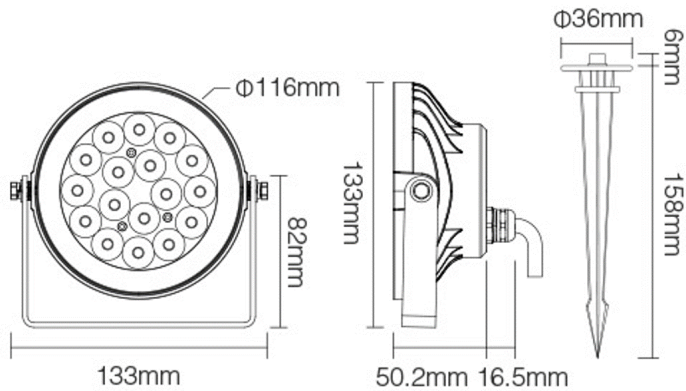
Product Data Sheet

9W RGB+CT RF/APP Control Outdoor spike/wall light

Part No: **GUL-RGB-CT-9W**

- RGB+CT 2700-6500k
- RF remote control / APP control with gateway (sold separately)
- 30mtr Auto signal transmitting / Modes synchronization
- Can be used as a spike light or mounted to a wall
- Adjustable head
- Removable spike to allow wall mounting
- Comes with 0.9 metre input lead





Technical Specification

Part No	GUL-RGB-CT-9W
Finish	Black
Voltage	240
Wattage	9

Lumens	900
CCT	RGB+CT
Colour Temperature	RGB+2700-6500k
Beam Angle	15 degree
IP Rating	66
Connector Type	Bare End
Width	116
Depth	67
Class 1 or 2 or 3	II
Material / Made From	Metal
EAN	5055530833234
Unit of sale	1
Price	each

Notes